



THREE L
TECHNOLOGIES

VENTILATED FACADE SYSTEM GH

The system consists of vertical profiles, mounted on main wall construction, and facade cladding panels respectively mounted on these vertical profiles. Facade cladding panels are made from custom extruded profiles which are glued at the back side of cladding sheets. Ventilated facade system GH is non modular facade cladding system with hidden fixings.

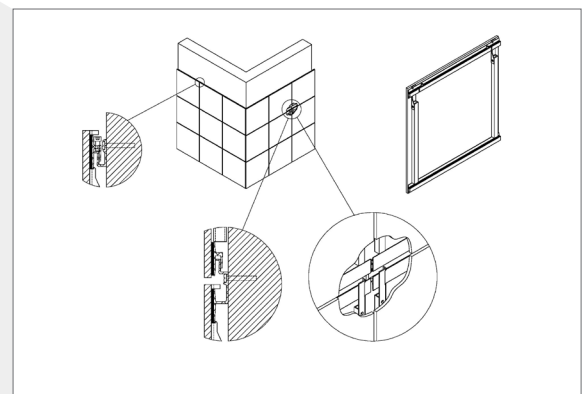
Extruded profiles are connected in a way that each panel is placed at a precise certain distance from underlying previous panel. Extruded profiles compatibility ensures that they interconnect.

Main benefits of ventilated facade system GH:

- Hidden fixings
- Precise and narrow joints – 5-12 mm
- Installation on site in all weather conditions – glueing of profiles is done at manufacturing site indoors
- Simple and economical subconstruction
- Prefabricated panels can be cut on saw on site according to measurements
- GH system can be used to clad different kind of facade cladding materials – metal sheet, composite sheet, cementfiber sheet, HPL
- Total system width only minimum 25 mm (if vertical profiles are not used)

Materials:

Metal sheet, composite sheet, cementfiber sheet, HPL



Reference Project

Lahti Travel Center

